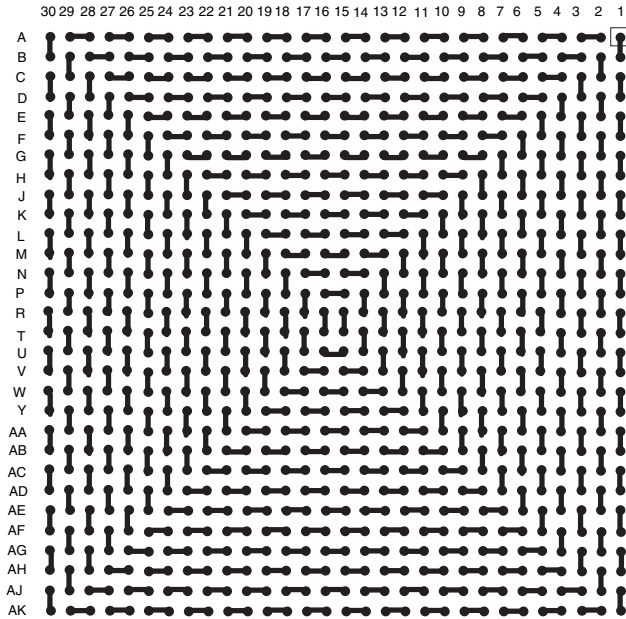


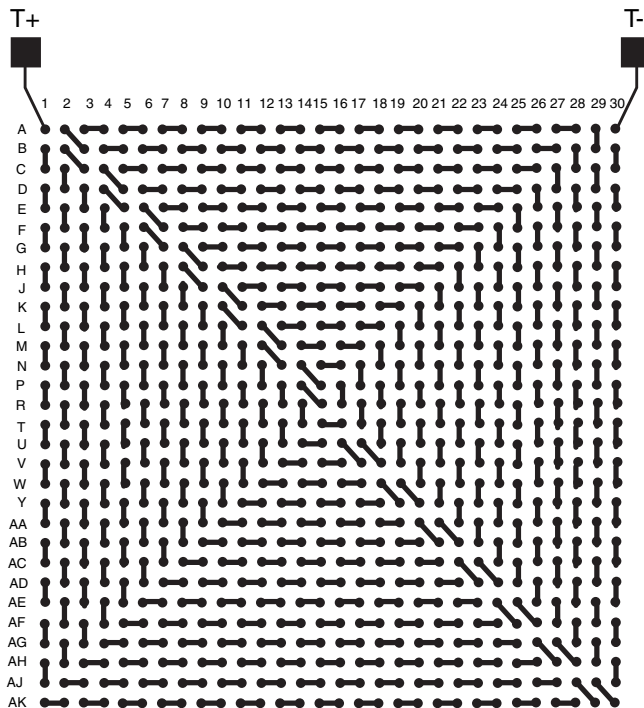
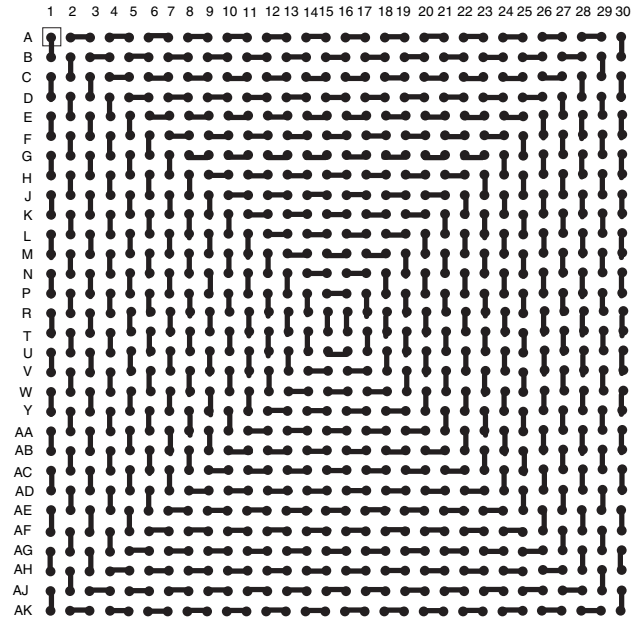
BALLS	PITCH	SIZE
900	1.0mm	31mm SQ

MATRIX	ROWS	CENTER	MAT'L
30 x 30	full	full	FR4

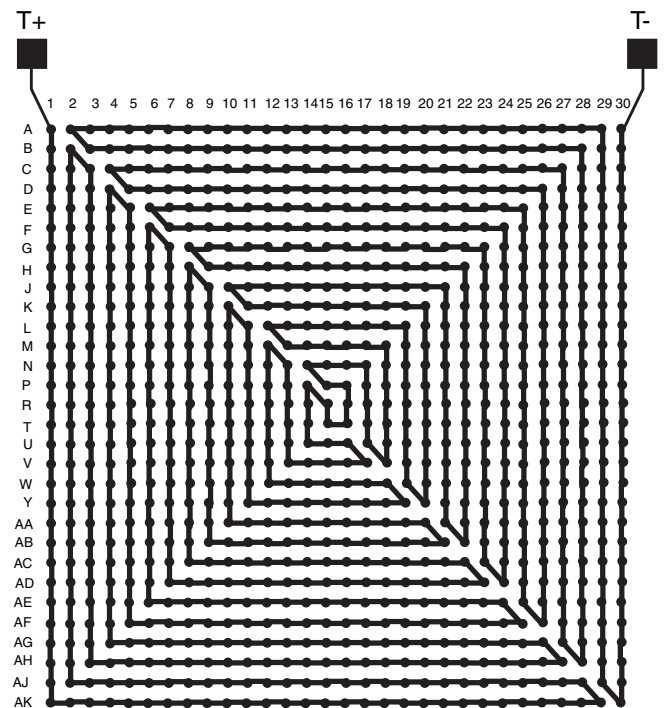
BALL VIEW



BOTTOM SIDE (TOP X-RAY VIEW)



TEST VEHICLE BOARD



AFTER MOUNTING TO TEST BOARD

eBGA900T1.0-D309D

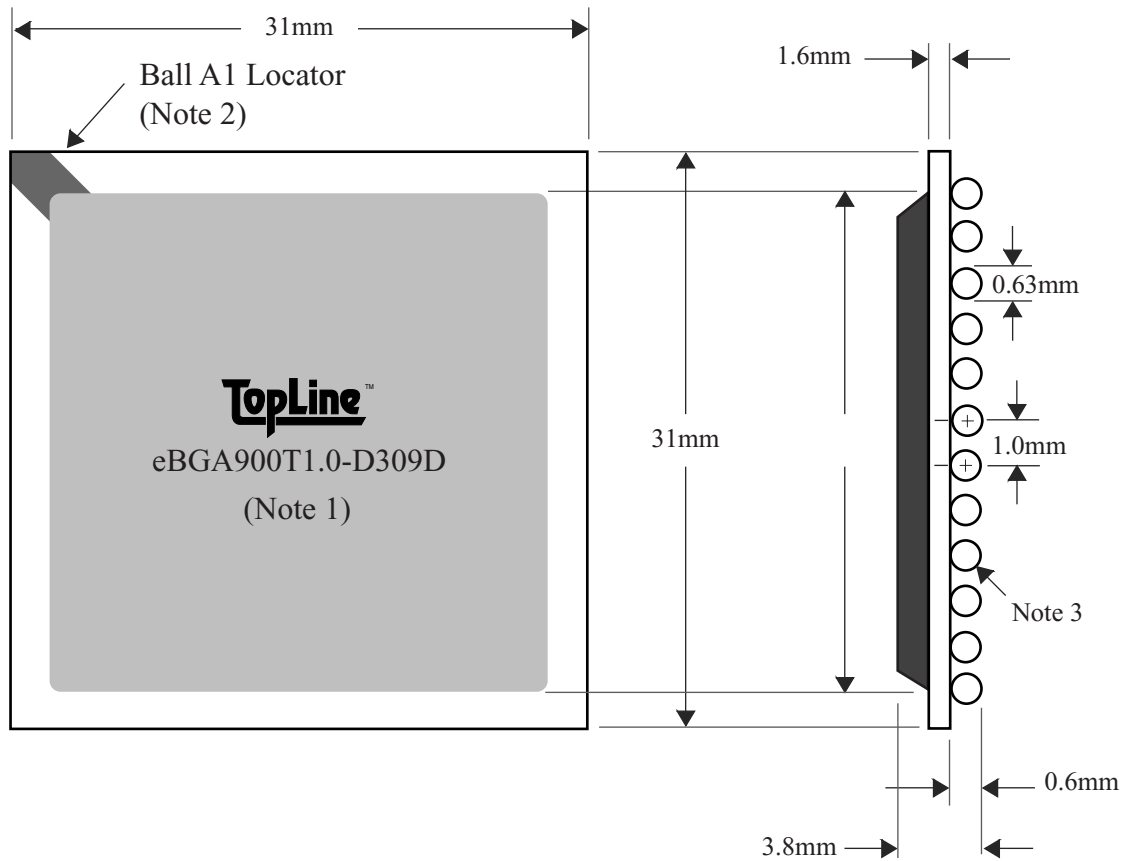


TEL 1-714-898-3830
info@topline.tv

<u>BALLS</u>	<u>PITCH</u>	<u>SIZE</u>	<u>MATRIX</u>	<u>ROWS</u>	<u>CENTER</u>	<u>MAT'L</u>
900	1.0mm	31mm SQ	30 x 30	full	full	FR4

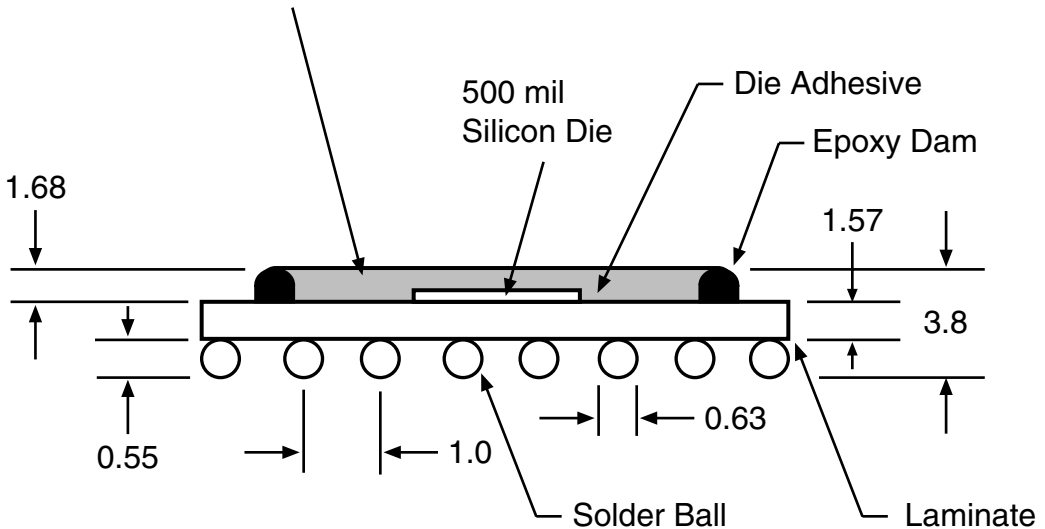
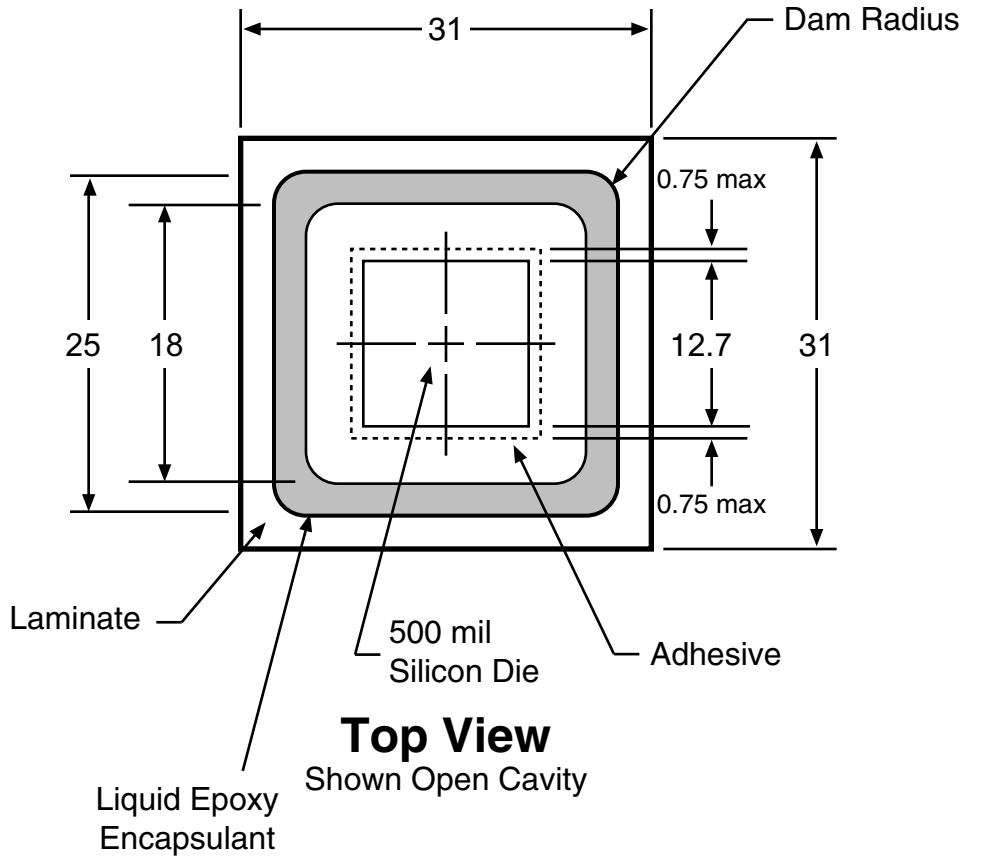
TOP VIEW

SIDE VIEW



NOTES		REVISIONS		
Note 1	Logo and part number centered	<u>Rev</u>	<u>Date</u>	<u>Changes</u>
Note 2	Ball A1 locator mark positioned in corner			
Note 3	Ball Material: Sn63 Pb37			
Note 4	Substrate Material: FR4 Laminate			
		PACKAGING TRAYS		
		Tray BGATRAY31mm-3x9		
		Tray Quantity 27		

Die Assembly & Epoxy Fill



Drawing Not to Scale
Dimensions = mm